

Mechanical  
pressure measurement

## Bourdon tube pressure gauge Back mount, standard version Model 111.12

WIKA data sheet PM 01.09

### Applications

- For gaseous and liquid media that are not highly viscous or crystallising and will not attack copper alloy parts
- Pneumatics
- Heating and air-conditioning technology
- Small-capacity compressors
- Medical engineering

### Special features

- Reliable and cost-effective
- Design per EN 837-1
- Nominal size 40, 50, 63, 80 and 100
- Scale ranges up to 0 ... 400 bar



Bourdon tube pressure gauge model 111.12

### Description

**Design**  
EN 837-1

**Nominal size in mm**  
40, 50, 63, 80 and 100

**Accuracy class**  
1.6  
2.5 (210, 210/1, 213, 225, 110.70 to 110.104)

**Scale ranges**  
0 ... 0.6 to 0 ... 400 bar  
or all other equivalent vacuum or combined pressure and vacuum ranges

**Pressure limitation**  
Steady: 3/4 x full scale value  
Fluctuating: 2/3 x full scale value  
Short time: Full scale value

### Permissible temperature

Ambient: -20 ... +60 °C  
Medium: +60 °C maximum

### Temperature effect

When the temperature of the measuring system deviates from the reference temperature (+20 °C): max.  $\pm 0.4 \%$ /10 K of the span

WIKA data sheet PM 01.09 · 02/2012

Page 1 of 2

Data sheets showing similar products:  
Lower mount; model 111.10; see data sheet PM 01.01  
Panel mounting series, back mount; model 111.16; see data sheet PM 01.10

**WIKA**

Part of your business

### Department eDocumentation

Phone +49 7125 9497-41, -42, -53, -260, -330  
Fax +49 7125 9497-99  
e-mail: [eDocumentation@riegler.de](mailto:eDocumentation@riegler.de)

edition 08/2015

**RIEGLER & Co. KG**  
[www.riegler.net](http://www.riegler.net)

Subject technical changes.

## Standard version

### Process connection

Copper alloy,  
centre back mount (CBM)  
NS 40: G 1/8 B (male), 14 mm flats  
NS 50, 63: G 1/4 B (male), 14 mm flats  
NS 80, 100: G 1/4 B (male), 14 mm flats

### Pressure element

Copper alloy,  
≤ 60 bar: C-type  
> 60 bar: Helical type

### Movement

Copper alloy

### Dial

NS 40, 50, 63: Plastic, white, with pointer stop pin  
NS 80, 100: Aluminium, white, with pointer stop pin  
Black lettering

### Pointer

Plastic, black

### Case

Plastic, black  
NS 100: Steel, black

### Window

Plastic, crystal-clear, snap-fitted in case

## Options

- Other process connection
- Accuracy class 1.6
- Case steel, black
- Triangular bezel with mounting bracket

## Special versions

### For closed heating systems

NS 63, 80  
with red mark pointer and adjustable green sector,  
scale range 0 ... 4 bar, red mark at 2.5 or 3 bar

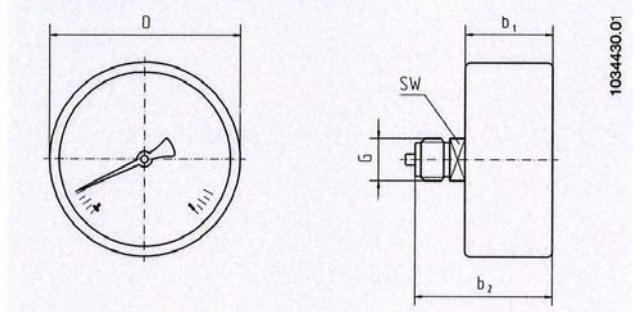
### For water-level indication (hydrometer)

NS 80  
Scale ranges 0 ... 0.6 to 0 ... 40 bar, with second scale in  
mWS

## Dimensions in mm

### Standard version

#### Centre back mount (CBM)



NS	Dimensions in mm			G	SW	Weight in kg
	b <sub>1</sub> ±0.5	b <sub>2</sub> ±1	D			
40	26	42	39	G 1/8 B	14	0.06
50	29.5	47.5	49	G 1/4 B	14	0.07
63	29	47	62	G 1/4 B	14	0.08
80	32	49	79	G 1/4 B	14	0.11
100	31	49	99	G 1/4 B	14	0.26

Process connection per EN 837-1 / 7.3

## Ordering information

Model / Nominal size / Scale range / Connection size / Options

© 2005 WIKA Alexander Wiegand SE & Co. KG, all rights reserved.  
The specifications given in this document represent the state of engineering at the time of publishing.  
We reserve the right to make modifications to the specifications and materials.

Art. No.	Ident No.
110.43-KD	101670
110.44-KD	101671
110.45-KD	101533
110.46-KD	101672
110.47-KD	101534
110.48-KD	101673
203-KD	101674
204-KD	101675
205-KD	101676
206-KD	101677
207-KD	101678
208-KD	101679
214-KD	101222
215-KD	101223
216-KD	101224
217-KD	101244
218-KD	101398
219-KD	101462

## Pressure Gauge

Art. No. 110.43-KD to 219-KD; 110.41-K to 226-K,  
110.41 to 226; 300/40 to 329/63; 110.70 to 110.104; 229 to 258  
and KOM 10669/2



Art. No.	Ident No.
110.41-K	101726
110.42-K	101727
110.43-K	101728
110.44-K	101729
110.45-K	101730
110.46-K	101731
110.47-K	101732
110.48-K	101733
110.49-K	101734
200-K	101735
201-K	101736
202-K	101737
203-K	101738
204-K	101739
205-K	101740
206-K	101741
207-K	101742
208-K	101743
209-K	101744
210-K	101745
210/1-K	101746

Art. No.	Ident No.
211/1-K	101747
211-K	101748
212-K	101749
213-K	101750
214-K	101751
215-K	101752
216-K	101753
217-K	101754
218-K	101755
219-K	101756
220-K	101757
221-K	101758
222-K	101759
223-K	101760
224-K	101761
225-K	101762
226-K	101763

Art. No.	Ident No.
110.41	101810
110.41/1	101811
110.42	101812
110.43	101813
110.44	101814
110.45	101815
110.46	101816
110.47	101817
110.48	101818
110.49	101819
200	101820
201	101821
202	101822
203	101823
204	101824
205	101825
206	101826
207	101827
208	101828
209	101829
210	101830
210/1	101831

Art. No.	Ident No.
211/1	101832
211	101833
212	101834
213	101835
214	101836
215	101837
216	101838
217	101839
218	101840
219	101841
220	101842
221	101843
222	101844
223	101845
224	101846
225	101847
226	101848

## Pressure Gauge

Art. No. 110.43-KD to 219-KD; 110.41-K to 226-K,  
110.41 to 226; 300/40 to 329/63; 110.70 to 110.104; 229 to 258  
and KOM 10669/2



Art. No.	Ident No.
300/40	101849
301/40	101850
302/40	101851
303/40	101852
304/40	101853
305/40	101854
306/40	101855
307/40	101856
308/40	101857
309/40	101858
300/50	101859
301/50	101860
302/50	101861
303/50	101862
304/50	101863
305/50	101864
306/50	101865
307/50	101866
308/50	101867
309/50	101868
300/63	101869
301/63	101870
302/63	101871
303/63	101872
304/63	101873
305/63	101874
306/63	101875
307/63	101876
308/63	101877
309/63	101878

Art. No.	Ident No.
319/40	101879
320/40	101880
321/40	101881
322/40	101882
323/40	101883
324/40	101884
325/40	101885
326/40	101886
327/40	101887
328/40	101888
319/50	101889
320/50	101890
321/50	101891
322/50	101892
323/50	101893
324/50	101894
325/50	101895
326/50	101896
327/50	101897
328/50	101898
329/50	101899
319/63	101900
320/63	101901
321/63	101902
322/63	101903
323/63	101904
324/63	101905
325/63	101906
326/63	101907
327/63	101908
328/63	101909
329/63	101910

Art. No.	Ident No.
110.70	101911
110.71	101912
110.72	101913
110.73	101914
110.74	101915
110.75	101916
110.76	101917
110.77	101918
110.78	101919
110.80	101920
110.81	101921
110.82	101922
110.83	101923
110.84	101924
110.85	101925
110.86	101926
110.87	101927
110.88	101928

Art. No.	Ident No.
110.90	101929
110.91	101930
110.92	101931
110.93	101932
110.94	101933
110.95	101934
110.96	101935
110.97	101936
110.98	101937
110.99	101938
110.100	101939
110.101	101940
110.102	101941
110.103	101942
110.104	101943

Art. No.	Ident No.
229	101997
231	101998
232	101999
233	102000
234	102001
235	102002
236	102003
237	102004
238	102005
239	102006

Art. No.	Ident No.
250	102007
251	102008
252	102009
253	102010
254	102011
255	102012
256	102013
257	102014
258	102015