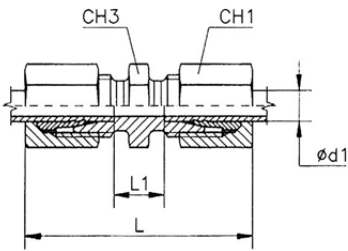


V 35

Male connectors, conical male thread acc. to ISO 7-1

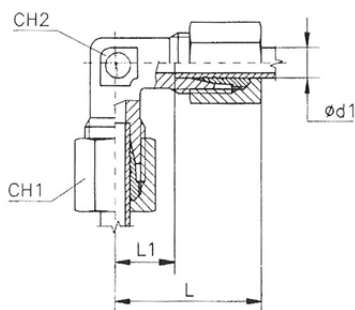
Art. No.	Ident No.	Tube O.D.	PN	ϕ F2 Thread	I	L	L1	CH1	CH2
V 21	112121	4	100	R 1/8	8.0	18.0	8.0	10	11
V 22	112122	5	100	R 1/8	8.0	18.0	6.5	12	11
V 23	112123	6	100	R 1/8	8.0	18.0	6.5	12	11
V 24	112124	8	100	R 1/8	8.0	20.0	8.5	14	12
V 25	112125	6	315	R 1/8	10.0	23.0	7.0	14	12
V 26	112126	8	315	R 1/8	10.0	25.0	8.0	17	14
V 28	112127	6	315	R 1/4	13.0	24.0	8.0	14	17
V 29	112128	8	315	R 1/4	13.0	25.0	8.0	17	17
V 30	112129	10	315	R 1/4	13.0	26.0	9.0	19	17
V 31	112130	12	315	R 1/4	13.0	27.0	10.0	22	19
V 33	112131	6	315	R 3/8	13.0	20.0	9.0	19	14
V 34	112132	8	315	R 3/8	13.0	26.0	9.0	17	19
V 35	112133	10	315	R 3/8	13.0	27.0	10.0	19	19
V 36	112134	12	315	R 3/8	13.0	27.0	10.0	22	19
V 37	112135	15	315	R 3/8	13.0	29.0	11.0	27	24
V 38	112136	8	315	R 1/2	16.0	26.0	9.0	17	22
V 39	112137	10	315	R 1/2	16.0	27.0	10.0	19	22
V 40	112138	12	315	R 1/2	16.0	27.0	10.0	22	22
V 41	112139	15	315	R 1/2	16.0	29.0	11.0	27	24
V 42	112140	18	315	R 1/2	16.0	31.0	11.5	32	27
V 43	112141	18	160	R 3/4	18.0	32.0	11.5	32	32
V 44	112142	22	160	R 3/4	18.0	33.0	13.5	36	32



V 55

Unions

Art. No.	Ident No.	Tube O. D.	PN	L	L1	CH1	CH3
V 50	112143	4	100	31.0	12.0	10	9
V 51	112144	5	100	32.0	9.0	12	11
V 52	112145	6	100	32.0	9.0	12	11
V 53	112146	8	100	35.0	12.0	14	12
V 54	112147	6	315	39.0	10.0	14	12
V 55	112148	8	315	40.0	11.0	17	14
V 56	112149	10	315	42.0	13.0	19	17
V 57	112150	12	315	43.0	14.0	22	19
V 58	112151	15	315	46.0	16.0	27	24
V 59	112152	18	315	48.0	16.0	32	27
V 60	112153	22	160	52.0	20.0	36	32



V 75

Union elbows

Art. No.	Ident No.	Tube O.D.	PN	L	L1	CH1	CH2
V 70	112154	4	100	21.0	11.0	10	9
V 71	112155	5	100	21.0	9.5	12	9
V 72	112156	6	100	21.0	9.5	12	9
V 73	112157	8	100	23.0	11.5	14	12
V 74	112158	6	315	27.0	12.0	14	12
V 75	112159	8	315	29.0	14.0	17	12
V 76	112160	10	315	30.0	15.0	19	14
V 77	112161	12	315	32.0	17.0	22	17
V 78	112162	15	315	36.0	21.0	27	19
V 79	112163	18	315	40.0	23.5	32	24
V 80	112164	22	160	44.0	27.5	36	27

Approximate dimensions with tightened nut.